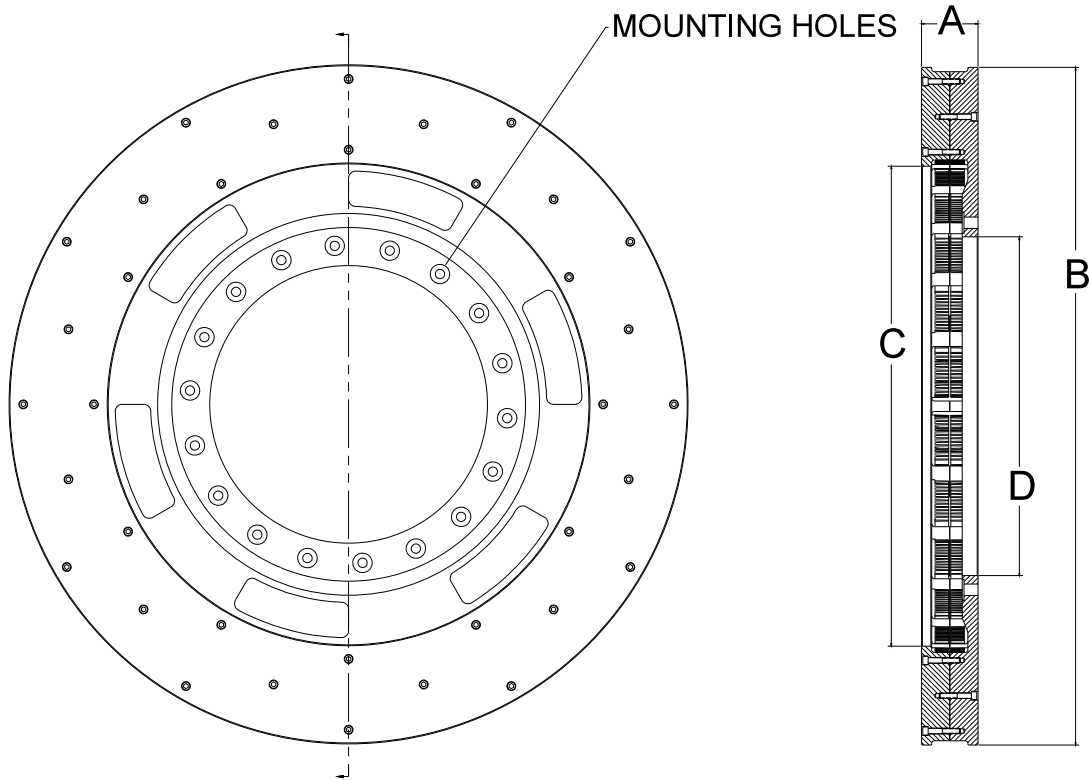


# 48 SVD - 10 ROTOR



| MODEL    | A  | B   | C   | D       | MOUNTING HOLES  | WEIGHT  | WK2                      | MAXIMUM RPM | HEAT DISSIPATION |
|----------|----|-----|-----|---------|---|---------|--------------------------|-------------|------------------|
| 48SVD-10 | 4" | 48" | 28" | 19.627" | 21/32" Dia. thru<br>1" Thick<br>18 Plcs. Eq. Spcd. On 22.500" BCD | 680 Lb. | 1700 Ft <sup>2</sup> Lbs | 900         | 100 HP @ 100RPM  |

**Product: 48SVD - 10 Rotor**

**Description:**  
Internally finned rotor for use with Series 8000 caliper brake

**Design:** Open

**Housing Construction:**  
Cast ductile iron disc / Cast aluminum heat sink fins

