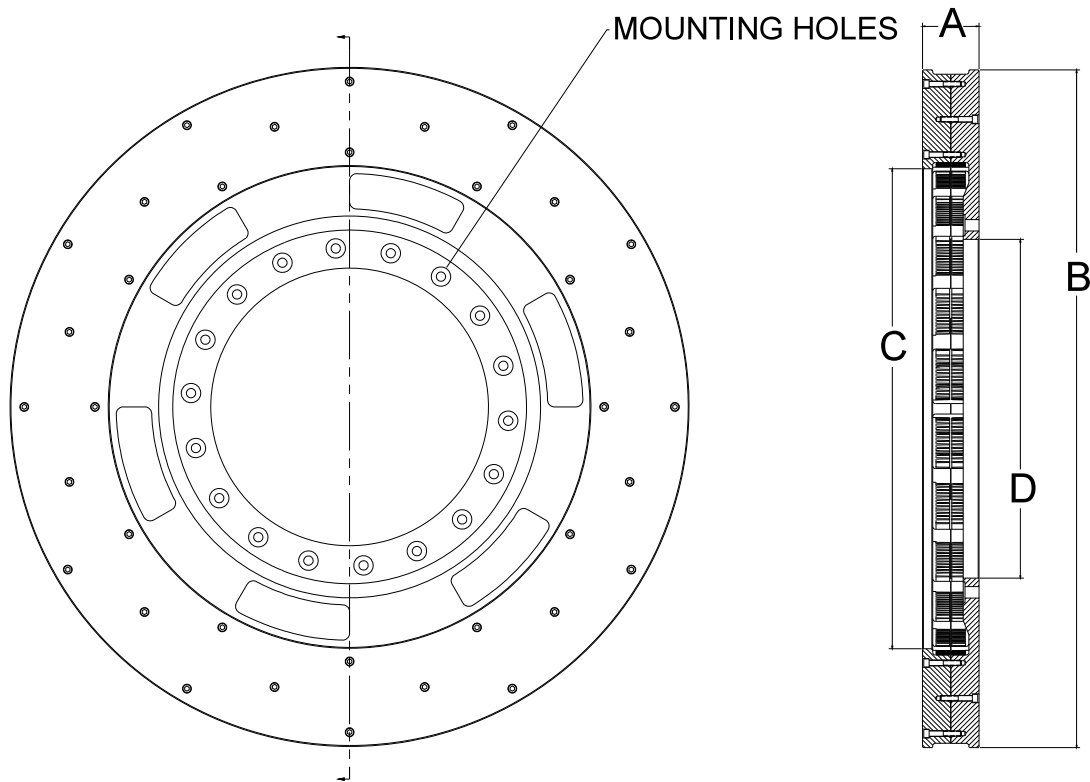


48 SVD ROTOR



MODEL	A	B	C	D	MOUNTING HOLES	WEIGHT	WK2	MAXIMUM RPM	HEAT DISSIPATION
48SVD	4"	48"	34"	19.627"	21/32" Dia. thru Hole Spot face 1.25" Dia. To 1" Grip 18 Plcs. Eq. Spcd. On 22.500" BCD	580 Lb.	1600 Ft ² Lbs	900	75HP@100RPM

Product: 48SVD Rotor

Description:

Internally finned rotor for use with Series 8000 caliper brake

Design: Open

Housing Construction:

Cast ductile iron disc / Cast aluminum heat sink fins

