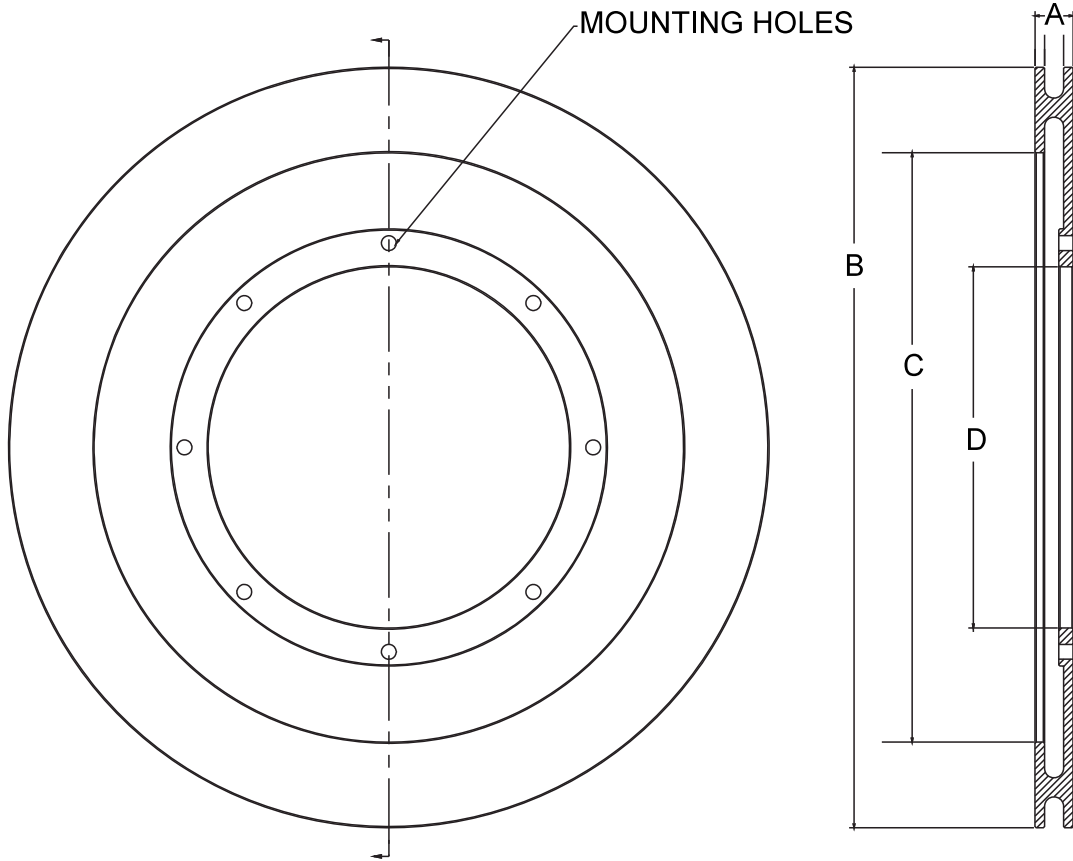


6560 ROTOR



MODEL	A	B	C	D	MOUNTING HOLES	WEIGHT	WK2	MAXIMUM RPM	HEAT DISSIPATION
6560	2"	40"	31"	19.002"	25/32" Dia. thru 8 Plcs. Eq. Spcd. On 21.500" BCD	250 Lb.	500 Ft ² Lbs	900	25 HP

Product: 6560 Rotor

Description:
Rotor for use with Series 7500 caliper brake

Design: Open

Housing Construction:
Cast ductile iron disc

