

75031 CALIPER BRAKE

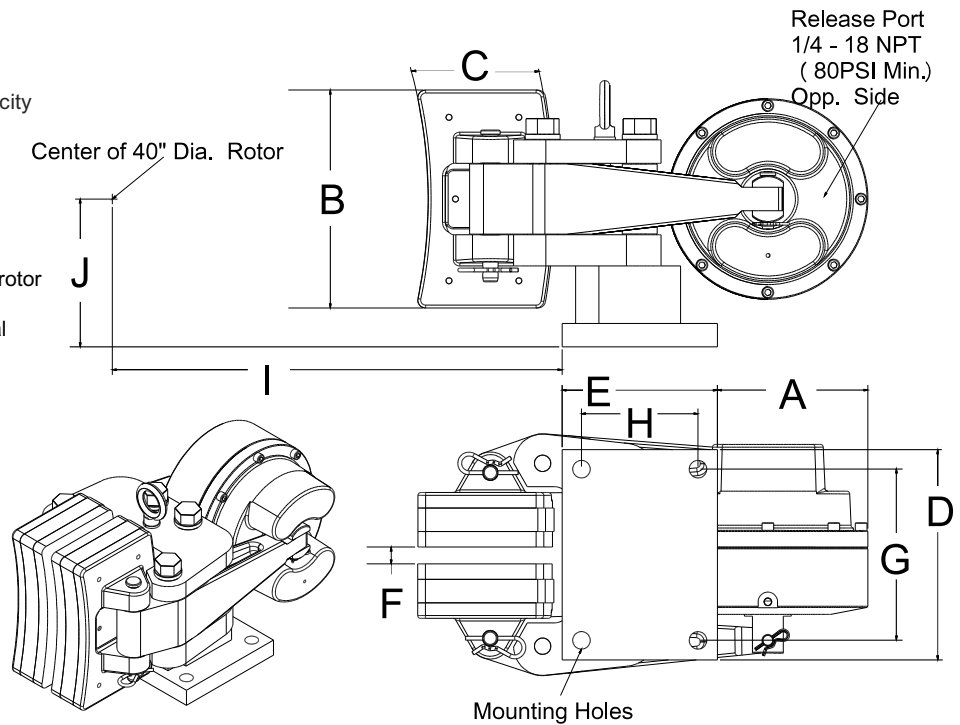


Single Brake Design

- Provides industry-leading torque capacity
- Spring Applied / Pneumatic Release

Lever Arm with Piston Design

- Multiplies force from the piston to the rotor
- Stainless Steel piston and cylinder seal
- Minimum release pressure 80PSI
- Replaces low torque bladder system
- NO BLADDER BLOWOUT



Model	75031
A	4.84"
B	7.00"
C	4"
D	6.75"
E	5"
F	.54"
G	5.500"
H	3.750"
I	20.13"
J	4.75"

SPRING APPLIED / AIR RELEASE 75031
Weight: 77 Lbs
Mounting: Pedestal Mount
Description: Single Spring Applied / Air Release Caliper Brake
Actuation Method: Spring
Minimum Release Pressure: 80 PSI
Piston: Single Acting Spring Applied/ Air Release

Friction Lining Area: 56 IN ²	Wearable Lining Volume: 9 Cu Inches
Design: Open	Medium Volume: 22.5 IN ³
Housing Construction: Steel	Static Braking Tangential Force: New Lining 4700 lbs Worn Lining 3600 lbs
Piston/Cylinder Construction: Stainless Steel	Clamp Force: 10,300 Lbs.
Port Size: 1/4" NPT	Static Torque using 40" Rotor Full Lining: 81,650 in/Lbs.
Friction Lining: High Temperature Non-Asbestos	Surface Finish: Powder Coat Paint