

7603 CALIPER BRAKE

Double Brake Design

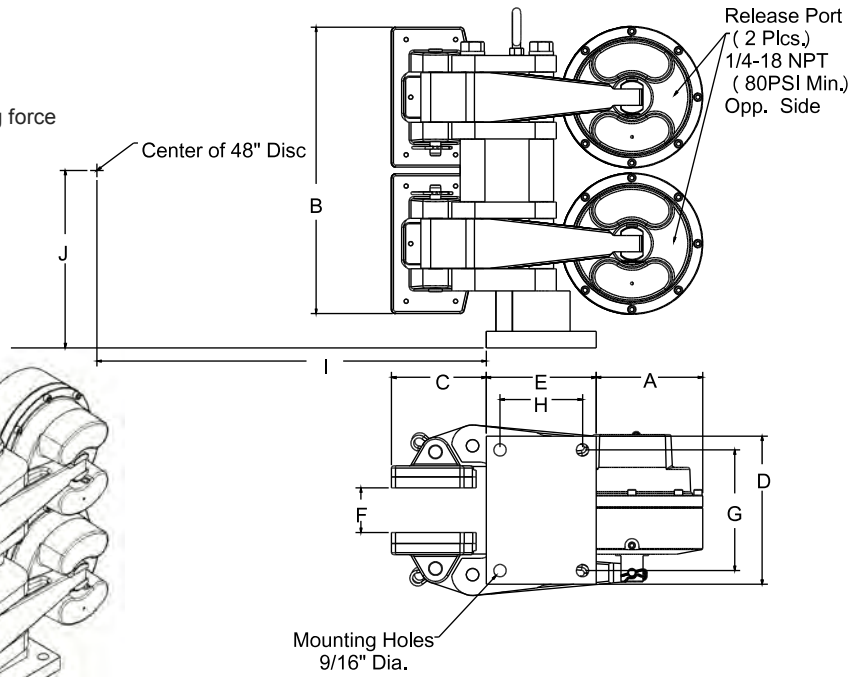
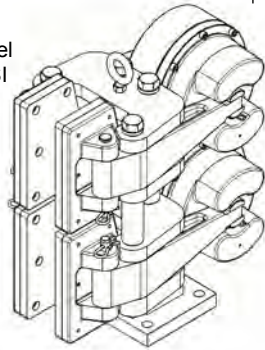
- Provides industry-leading torque capacity
- Less brake chatter – more evenly applied braking force
- Spring applied / Pneumatic Release

Lever Arm with Piston Design

- Multiplies force from the piston to the rotor
- Replaces low torque bladder system
- NO BLADDER BLOWOUT

Seal System Design

- Piston and cylinder stainless steel
- Minimum release pressure 80PSI



Model	7603
A	4.84"
B	13"
C	4.31"
D	6.75"
E	5.00"
F	2.054"
G	5.500"
H	3.750"
I	24"
J	8"

SPRING APPLIED / AIR RELEASE 7603
Weight: 135 Lbs
Mounting: Pedestal Mount
Description: Double Spring Applied / Air Release
Actuation Method: Spring
Minimum Release Pressure: 80 PSI
Piston: Single Acting Spring Applied/ Air Release

Corresponding Rotors: 6690 (40" Diameter)	
Friction Lining Area: 92 IN ²	Wearable Lining Volume: 15.6 Cu Inches
Design: Open	Medium Volume: 22.5 IN ³
Housing Construction: Steel	Static Braking Tangential Force: New Lining 9400 lbs Worn Lining 7200 lbs
Piston/Cylinder Construction: Stainless Steel	Clamp Force: 20,600 Lbs.
Port Size: 1/4" NPT (2 places)	Static Torque using 48" Rotor Full Lining: 202,000 in/Lbs.
Friction Lining: High Temperature Non-Asbestos	Surface Finish: Powder Coat Paint