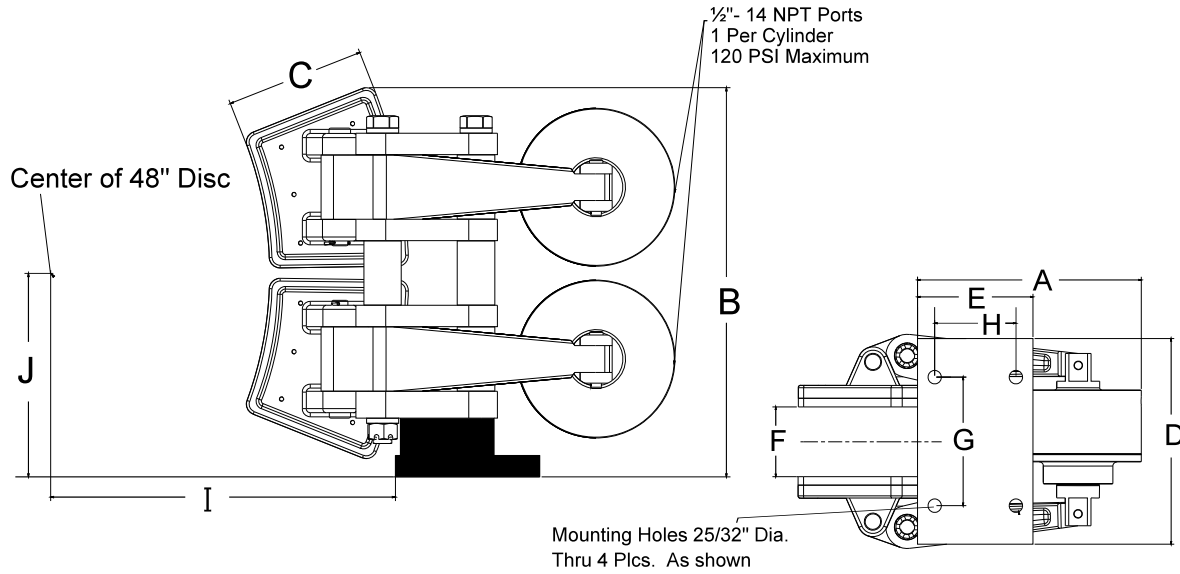


8504 CALIPER BRAKE



Model	8504
A	15"
B	28"
C	9.50"
D	9.50"
E	7.50"
F	4.06"
G	7.00"
H	5.20"
I	22.80"
J	12.75"

AIR APPLIED/SPRING RELEASE 8504
Weight: 400 Lbs
Mounting: Pedestal Mount
Description: Double Air Applied Caliper Brake
Actuation Method: Pneumatic
Maximum Pressure: 120 PSI
Piston: Single Acting Air Applied/Spring Return

Corresponding Rotors: 48SVD -10 (48" Diameter)	
Friction Lining Area: 420 Sq. Inches	Wearable Lining Volume: 150 Cu Inches
Design: Open	Air Volume: Half lining wear 50 Cu Inches
Housing Construction: Steel	Braking Tangential Force: 24,000 lbs @ 100 PSI
Piston/Cylinder Construction: Stainless Steel	Clamp Force: @ 100 PSI 57,000 Lbs.
Port Size: 1/2" NPT (2 places)	Static Torque using 48SVD Rotor @ 100 PSI 42,000 Ft.Lbs.
Friction Lining: High Temperature Non-Asbestos	Surface Finish: Paint