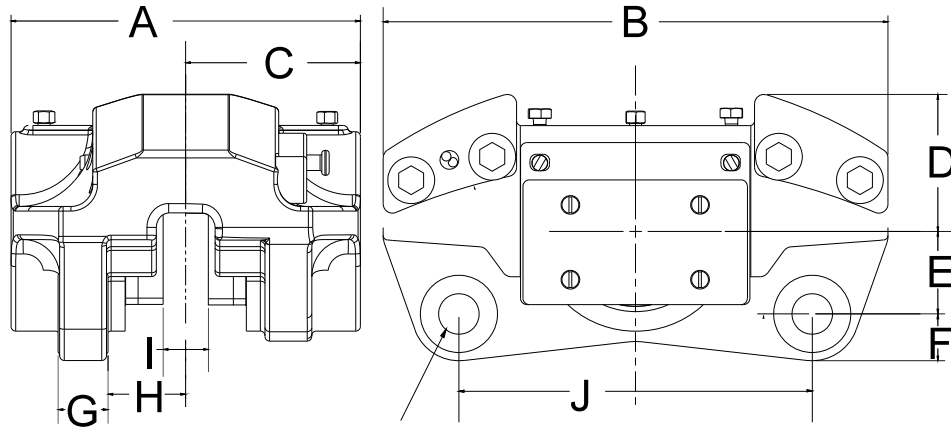


9004 CALIPER BRAKE



Mounting Holes 13/16" Dia. Thru
2 Plcs. As Shown

9004	A	B	C	D	E	F	G	H	I	J
	7"	10 1/8"	3.50"	2.75"	1.653"	.94"	1"	1.56"	.912"	7.086"
BRAKING RADIUS INCHES	$\frac{\text{Rotor Diameter}}{2} - 1.4$									
TORQUE IN / LBS	$T = \text{Braking Radius} \times 9500 \text{ LBS}$									
WEIGHT	39 LB									

HYDRAULIC ACTUATED CALIPER BRAKE

Piston: Double Acting	Piston Construction: Steel
Design: Open	Maximum Pressure: 2000 PSI
Housing Construction: Cast Ductile Iron	Braking Tangential Force: 9500 lbs
Actuation Method: Hydraulic	Port Size: SAE AS5202-3
Medium Specification: Mineral Oil	Friction Lining: High Duty Woven Kevlar Lining
Surface Finish: Enamel Paint	Friction Lining Area: 22 Sq Inches
Medium Volume: 2 Cu Inches	Wearable Lining Volume: 5.5 Cu Inches